

Site Plans

Elevations

Existing Sign Type

Background Substrate

Background Condition

Illuminator Type

Feed Position

Time Clock/Sensor on Site

Asbestos Register on Site

Site Manager

Opening Hours

| | | | |
|-----------|----------|----|----------|
| Monday | _____ Am | To | _____ Pm |
| Tuesday | _____ Am | To | _____ Pm |
| Wednesday | _____ Am | To | _____ Pm |
| Thursday | _____ Am | To | _____ Pm |
| Friday | _____ Am | To | _____ Pm |
| Saturday | _____ Am | To | _____ Pm |
| Sunday | _____ Am | To | _____ Pm |

Site Telephone No.

Site Fax No.

Notes

CLIENT

SITE REF :

SITE ADDRESS

DATE SURVEYED

SURVEYOR

Elevations

Existing Sign Type

Background Substrate

Background Condition

Illuminaton Type

Feed Position

Time Clock/Sensor on Site

Asbestos Register on Site

Site Manager

Opening Hours

| | | | |
|-----------|----------|----|----------|
| Monday | _____ Am | To | _____ Pm |
| Tuesday | _____ Am | To | _____ Pm |
| Wednesday | _____ Am | To | _____ Pm |
| Thursday | _____ Am | To | _____ Pm |
| Friday | _____ Am | To | _____ Pm |
| Saturday | _____ Am | To | _____ Pm |
| Sunday | _____ Am | To | _____ Pm |

Site Telephone No.

Site Fax No.

Notes

CLIENT

SITE REF :

SITE ADDRESS

DATE SURVEYED

SURVEYOR

Elevations

Existing Sign Type

Background Substrate

Background Condition

Illuminaton Type

Feed Position

Time Clock/Sensor on Site

Asbestos Register on Site

Site Manager

Opening Hours

| | | | |
|-----------|----------|----|----------|
| Monday | _____ Am | To | _____ Pm |
| Tuesday | _____ Am | To | _____ Pm |
| Wednesday | _____ Am | To | _____ Pm |
| Thursday | _____ Am | To | _____ Pm |
| Friday | _____ Am | To | _____ Pm |
| Saturday | _____ Am | To | _____ Pm |
| Sunday | _____ Am | To | _____ Pm |

Site Telephone No.

Site Fax No.

Notes

CLIENT

SITE REF :

SITE ADDRESS

DATE SURVEYED

SURVEYOR

Street Scene

Elevations _____

Existing Sign Type _____

Background Substrate _____

Background Condition _____

Illumination Type _____

Feed Position _____

Time Clock/Sensor on Site _____

Asbestos Register on Site _____

Site Manager _____

Opening Hours

Monday _____ Am To _____ Pm

Tuesday _____ Am To _____ Pm

*Wednesday _____ Am To _____ Pm

Thursday _____ Am To _____ Pm

Friday _____ Am To _____ Pm

*Saturday _____ Am To _____ Pm

Sunday _____ Am To _____ Pm

Site Telephone No. _____

Site Fax No. _____

Notes

CLIENT

SITE REF :

SITE ADDRESS

DATE SURVEYED

SURVEYOR

Access Details

Elevations _____

Existing Sign Type _____

Background Substrate _____

Background Condition _____

Illuminaton Type _____

Feed Position _____

Time Clock/Sensor on Site _____

Asbestos Register on Site _____

Site Manager _____

Opening Hours

| | | | |
|------------|----------|----|----------|
| Monday | _____ Am | To | _____ Pm |
| Tuesday | _____ Am | To | _____ Pm |
| *Wednesday | _____ Am | To | _____ Pm |
| Thursday | _____ Am | To | _____ Pm |
| Friday | _____ Am | To | _____ Pm |
| *Saturday | _____ Am | To | _____ Pm |
| Sunday | _____ Am | To | _____ Pm |

Site Telephone No. _____

Site Fax No. _____

Notes

CLIENT

SITE REF :

SITE ADDRESS

DATE SURVEYED

SURVEYOR

Free Standing

1 of

Existing Sign Type

Base Type

Ground Type Concrete Soft Earth Tarmac

Illuminated Yes No

Isolator Switch Yes No

Access

Ristrictions

Site Manager

NOTES

CLIENT

SITE REF :

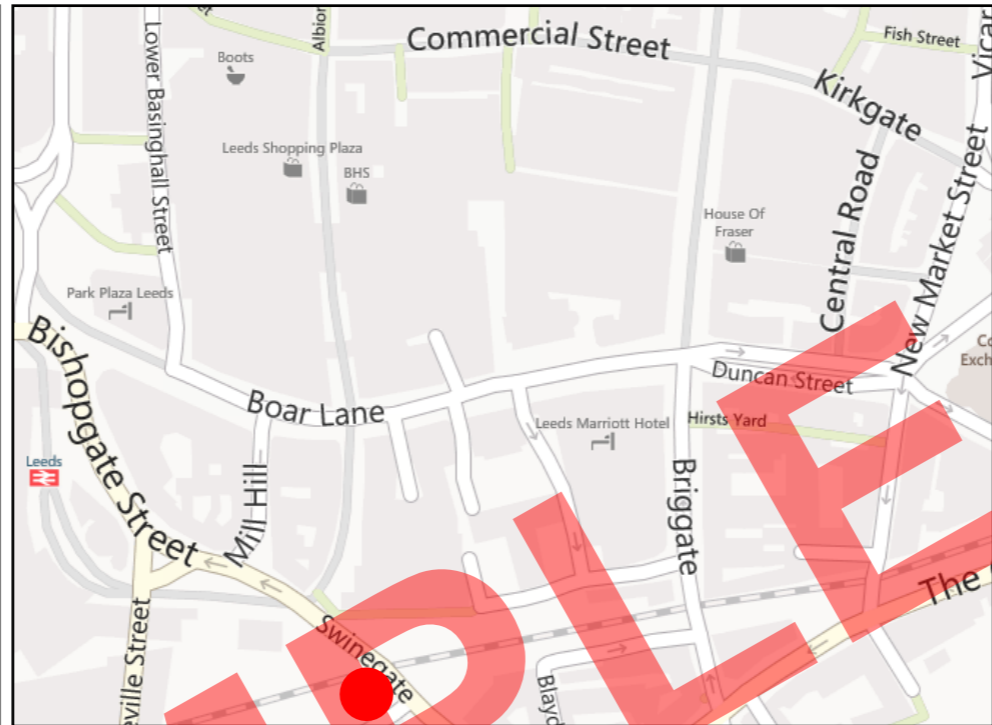
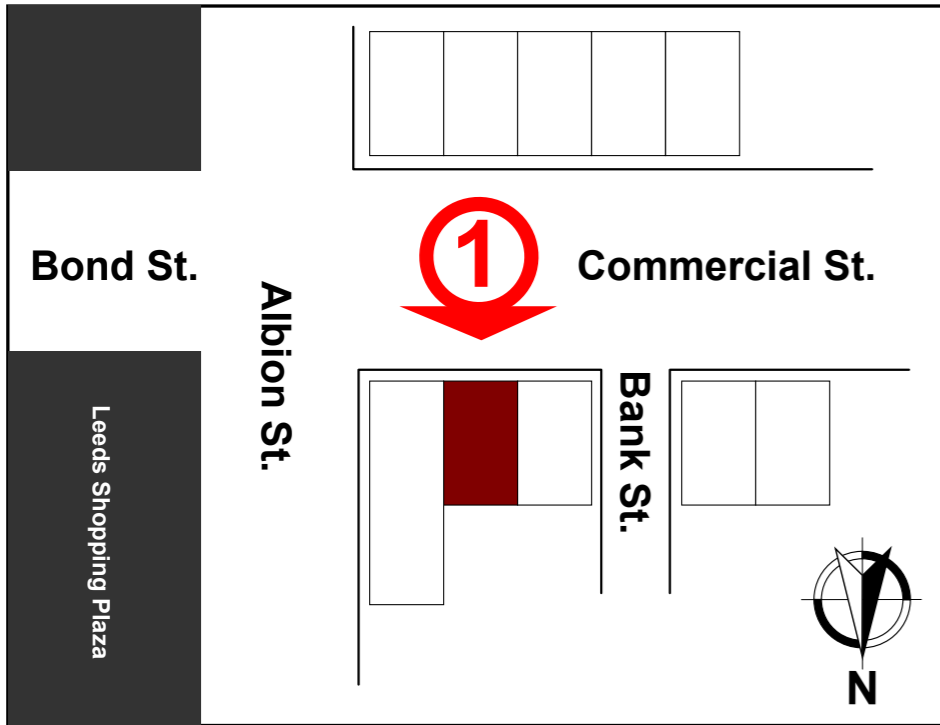
SITE ADDRESS

DATE SURVEYED

SURVEYOR

Street Plan

Closest commercial parking



Access Route



Site Plans

| | |
|----------------------------------|--------------------------------|
| Elevations | ① |
| Existing Sign Type | Unknown - No Existing Sign |
| Background Substrate | 18mm Plywood |
| Background Condition | Good |
| Illumination Type | Unknown - No Existing Illum. |
| Feed Position | None - Feed Required |
| Time Clock/Sensor on Site | Yes - Electronic+D to D Sensor |
| Asbestos Register on Site | Yes - No Hazards |
| Site Manager | Steve Watson |

| Opening Hours | *Indicates Market Days | | | | |
|---------------|------------------------|----|----|--------|----|
| Monday | 09:00 | Am | To | 17:30 | Pm |
| Tuesday | 09:00 | Am | To | 17:30 | Pm |
| *Wednesday | 09:00 | Am | To | 17:30 | Pm |
| Thursday | 09:00 | Am | To | 20:00 | Pm |
| Friday | 09:00 | Am | To | 17:30 | Pm |
| *Saturday | 09:00 | Am | To | 17:30 | Pm |
| Sunday | closed | Am | To | closed | Pm |

Site Telephone No. 0123456789

Site Fax No. 0123555559

Notes

Site is within pedestrian zone

Access to site between before 10:00am and
After 4:30pm

Access Via Lower Basinghall St/Bond Street

Closest Commercial Parking : > 1000m

CLIENT

A

SITE ADDRESS

B

DATE SURVEYED

C

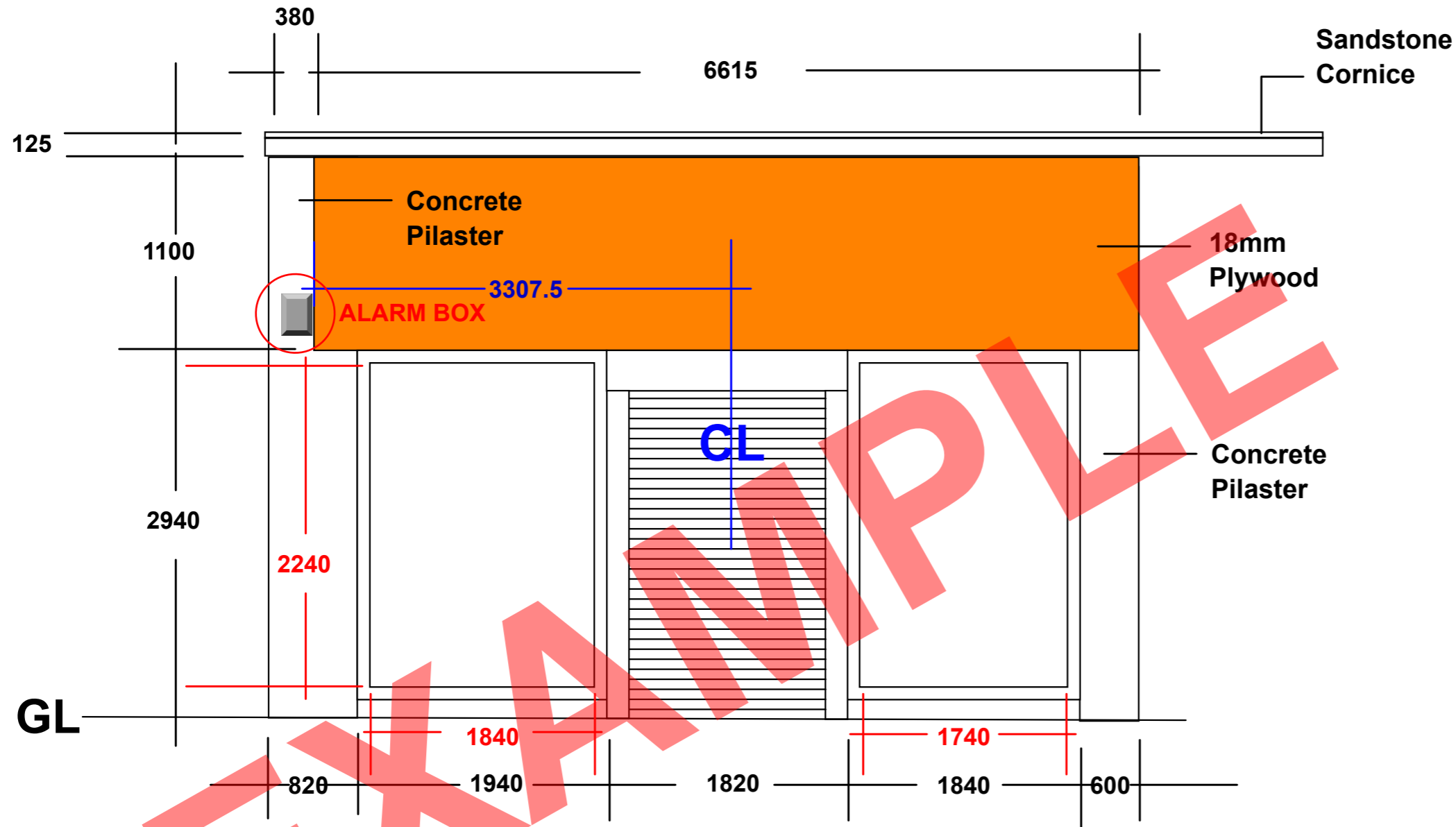
SURVEYOR

D



School of Sign Arts
24681 La Plaza, Ste 230, Dana Point, CA 92629
T | 1-800-57-CENTS T | +1 949-234-0223
e | sosa@schoolofsignarts.com

Elevation 1



All Glazing Dims between rubber gaskets
 No Restrictions to rear of glazing at present



| | |
|---------------------------|--------------------------------|
| Elevations | 1 |
| Existing Sign Type | Unknown - No Existing Sign |
| Background Substrate | 18mm Plywood |
| Background Condition | Good |
| Illumination Type | Unknown - No Existing Illum. |
| Feed Position | None - Feed Required |
| Time Clock/Sensor on Site | Yes - Electronic+D to D Sensor |
| Asbestos Register on Site | Yes - No Hazards |
| Site Manager | Steve Watson |

| Opening Hours | *Indicates Market Days | | | |
|---------------|------------------------|----|----|-----------|
| Monday | 09:00 | Am | To | 17:30 Pm |
| Tuesday | 09:00 | Am | To | 17:30 Pm |
| *Wednesday | 09:00 | Am | To | 17:30 Pm |
| Thursday | 09:00 | Am | To | 20:00 Pm |
| Friday | 09:00 | Am | To | 17:30 Pm |
| *Saturday | 09:00 | Am | To | 17:30 Pm |
| Sunday | closed | Am | To | closed Pm |

Site Telephone No. 0123456789

Site Fax No. 0123555559

Notes

- Site is within pedestrian zone
- Access to site between before 10:00am and After 4:30pm
- Access Via Lower Basinghall St/Bond Street
- Closest Commercial Parking : > 1000m

CLIENT

A

SITE ADDRESS

DATE SURVEYED

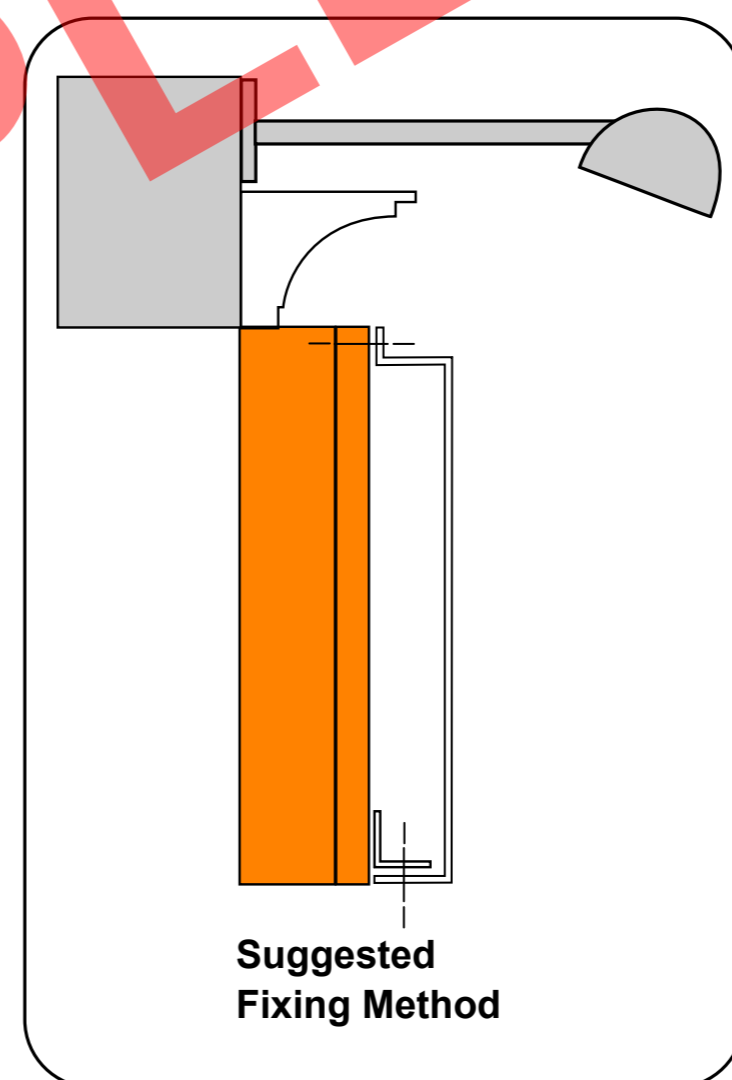
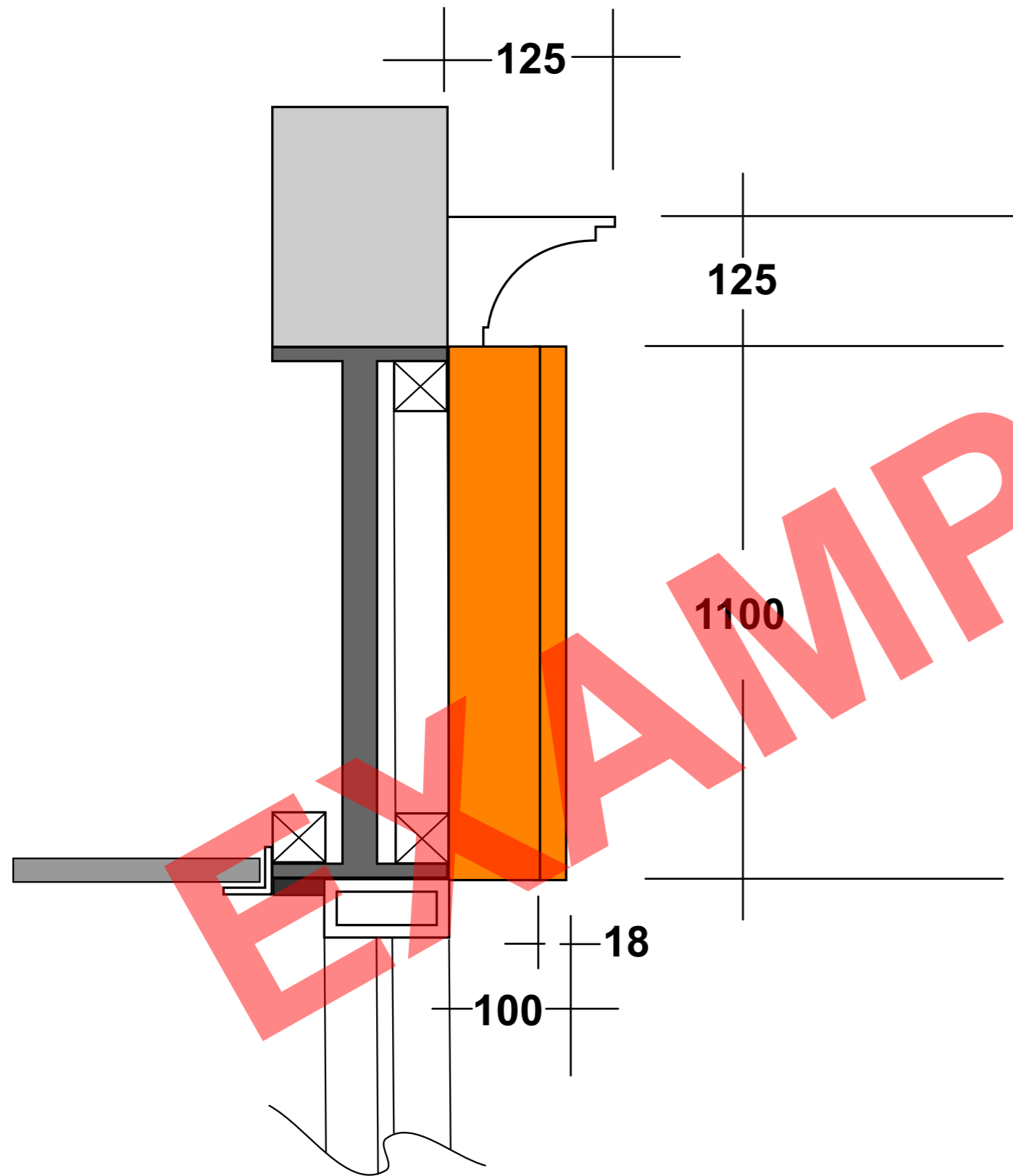
SURVEYOR



School of Sign Arts
 24681 La Plaza, Ste 230, Dana Point, CA 92629
 T | 1-800-57-CENTS T | +1 949-234-0223
 e | sosa@schoolofsignarts.com

Section

1



| | |
|----------------------------------|--------------------------------|
| Elevations | 1 |
| Existing Sign Type | Unknown - No Existing Sign |
| Background Substrate | 18mm Plywood |
| Background Condition | Good |
| Illumination Type | Unknown - No Existing Illum. |
| Feed Position | None - Feed Required |
| Time Clock/Sensor on Site | Yes - Electronic+D to D Sensor |
| Asbestos Register on Site | Yes - No Hazards |
| Site Manager | Steve Watson |

| Opening Hours | | *Indicates Market Days | |
|----------------------|-----------|-------------------------------|-----------|
| Monday | 09:00 Am | To | 17:30 Pm |
| Tuesday | 09:00 Am | To | 17:30 Pm |
| *Wednesday | 09:00 Am | To | 17:30 Pm |
| Thursday | 09:00 Am | To | 20:00 Pm |
| Friday | 09:00 Am | To | 17:30 Pm |
| *Saturday | 09:00 Am | To | 17:30 Pm |
| Sunday | closed Am | To | closed Pm |

Site Telephone No. 0123456789

Site Fax No. 0123555559

- Notes**
- Site is within pedestrian zone
 - Access to site between before 10:00am and After 4:30pm
 - Access Via Lower Basinghall St/Bond Street
 - Closest Commercial Parking : > 1000m

CLIENT

SITE ADDRESS

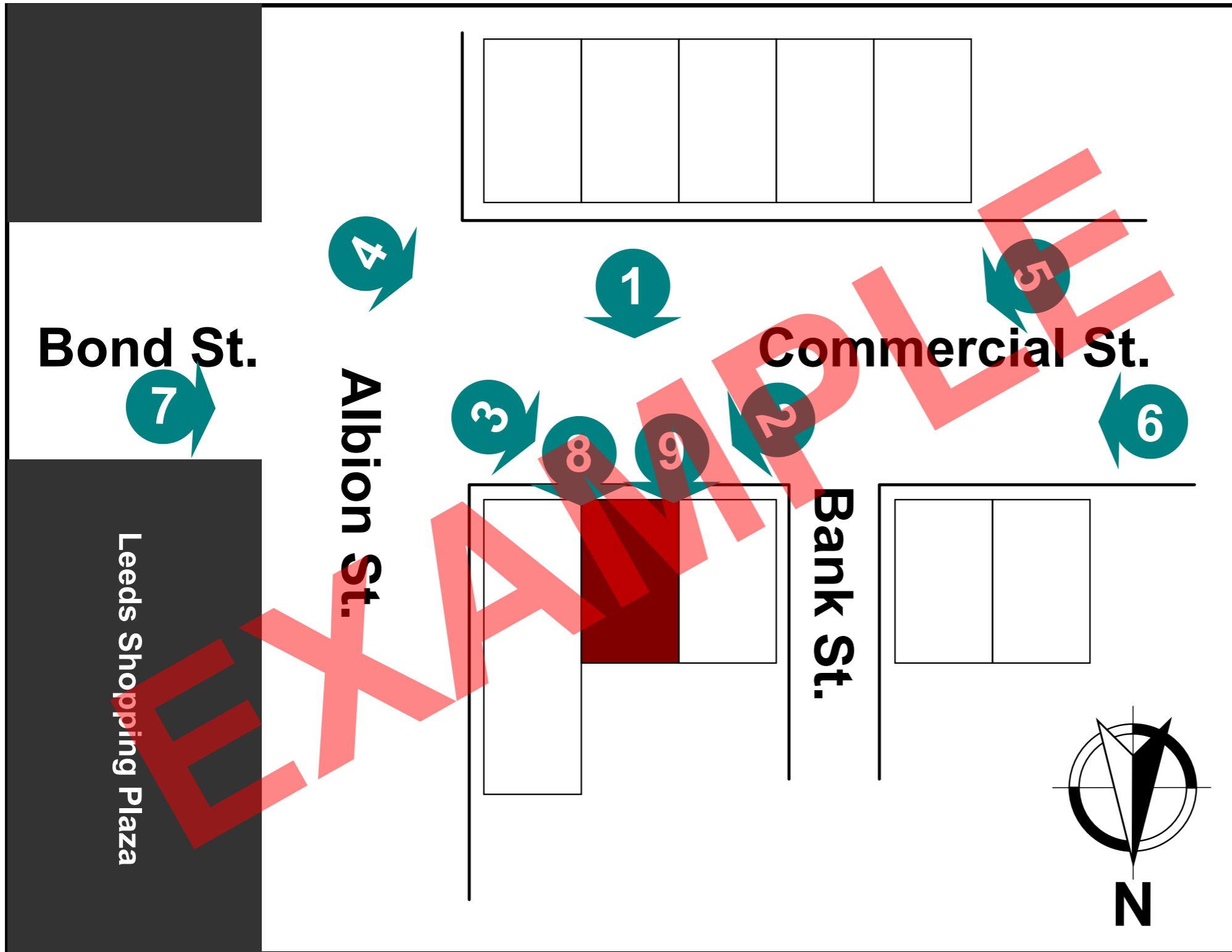
DATE SURVEYED

SURVEYOR

School of SIGN Arts

School of Sign Arts
 24681 La Plaza, Ste 230, Dana Point, CA 92629
 T | 1-800-57-CENTS T | +1 949-234-0223
 e | sosa@schoolofsignarts.com

Street Scene Imagery



Indicates direction of photographs

Street Scene

| | |
|----------------------------------|--------------------------------|
| Elevations | 1 |
| Existing Sign Type | Unknown - No Existing Sign |
| Background Substrate | 18mm Plywood |
| Background Condition | Good |
| Illumination Type | Unknown - No Existing Illum. |
| Feed Position | None - Feed Required |
| Time Clock/Sensor on Site | Yes - Electronic+D to D Sensor |
| Asbestos Register on Site | Yes - No Hazards |
| Site Manager | Steve Watson |

| Opening Hours | | *Indicates Market Days | |
|---------------|------------------------|------------------------|--|
| Monday | 09:00 Am To 17:30 Pm | | |
| Tuesday | 09:00 Am To 17:30 Pm | | |
| *Wednesday | 09:00 Am To 17:30 Pm | | |
| Thursday | 09:00 Am To 20:00 Pm | | |
| Friday | 09:00 Am To 17:30 Pm | | |
| *Saturday | 09:00 Am To 17:30 Pm | | |
| Sunday | closed Am To closed Pm | | |

Site Telephone No. 0123456789

Site Fax No. 0123555559

Notes

Street Scene has all types of illuminated/
non illuminated signage. Building is not
listed or within conservation area.

Footfall : Heaviest Fridays/Saturdays

Local Planning Authority : Local City Council
Tel : 222-555-8888

Link to Local City Council

<http://www.sample-applications.com>

CLIENT
SITE ADDRESS
DATE SURVEYED
SURVEYOR

A



School of Sign Arts
24681 La Plaza, Ste 230, Dana Point, CA 92629
T | 1-800-57-CENTS T | +1 949-234-0223
e | sosa@schoolofsignarts.com