



KT-SCLED100-24A-DS-865-B

PORTABLE LED SIGN CABINET

DESCRIPTION

Pre-Fabricated Portable LED Sign Cabinet | Double Sided Illumination | Suitable for Standing or Hanging Indoor Applications

APPLICATION

Wide variety of permanent or temporary indoor signage needs (including tradeshows, retail, hospitality, and entertainment venues)



PRODUCT FEATURES

- Double Sided LED display made from High Quality Aluminum construction for with Matte Black finish for superior fit and finish
- All lighting components are pre-installed and pre-wired, offering highly diffused 6500K backlit illumination
- 120V Input with 6' NEMA 5-15 plug and on/off rocker switch
- Removable side panel allows for installation of 1/8" thick graphics panel on either side of the display
- Compact packaging. Everything comes in one box for easy transportation and delivery and assembly. Simply add the mounting legs and its ready for graphics
- Powered by Keystone LED drivers & constructed with UL Listed Lighting components
- Construction features precise optical lenses over each individual LED, offering optimal light diffusion and consistent surface illumination, with no risk of yellowing over product lifetime
- Ambient operating temperature: -20°C/-4°F to 40°C/104°F
- Power Factor >0.95, THD: <20%
- LED chip lifetime: L70 >100,000 hrs @ 25C°/77F° ambient fixture temp
- Meets FCC Part 15, Part B, Class A standards for conducted and radiated emissions
- For Indoor Use Only. (not suitable for outdoor use)



ELECTRICAL SPECIFICATIONS

Input Voltage	120V	CRI	>80
Input Current	0.92A	Lifetime	50,000 hours
Wattage	100W (50W per side)	Color Temperature	6500k (Sign White)
Lumens	11,000 (5,500 per side)	Illuminated Dimensions	21.5" x 45.5" (per side)

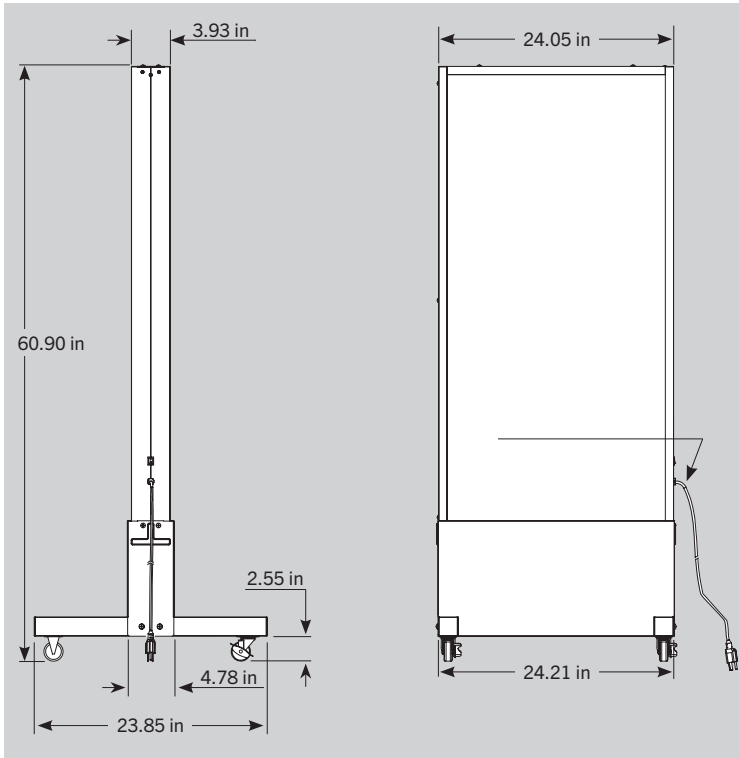


KT-SCLED100-24A-DS-865-B

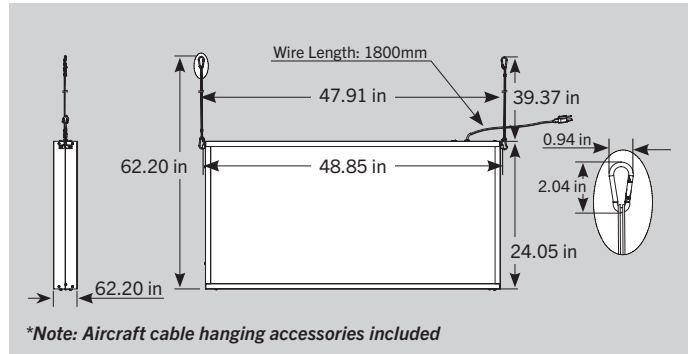
PORTABLE LED SIGN CABINET

PHYSICAL SPECIFICATIONS

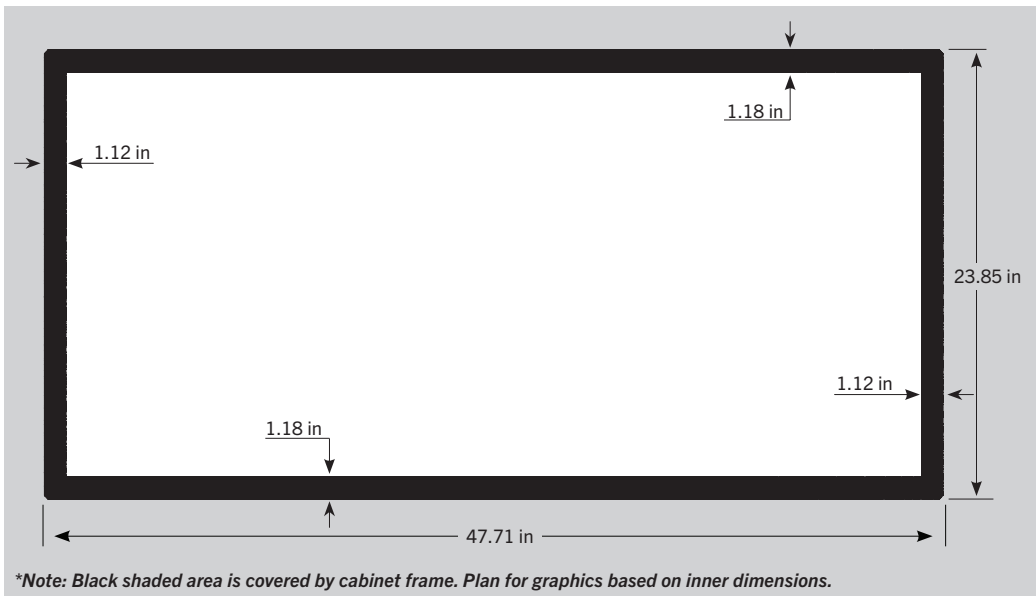
Pedestal Mount (Floor Stand)



Horizontal Mount (Ceiling Hung)



Recommended Acrylic Graphics Dimensions (not included)





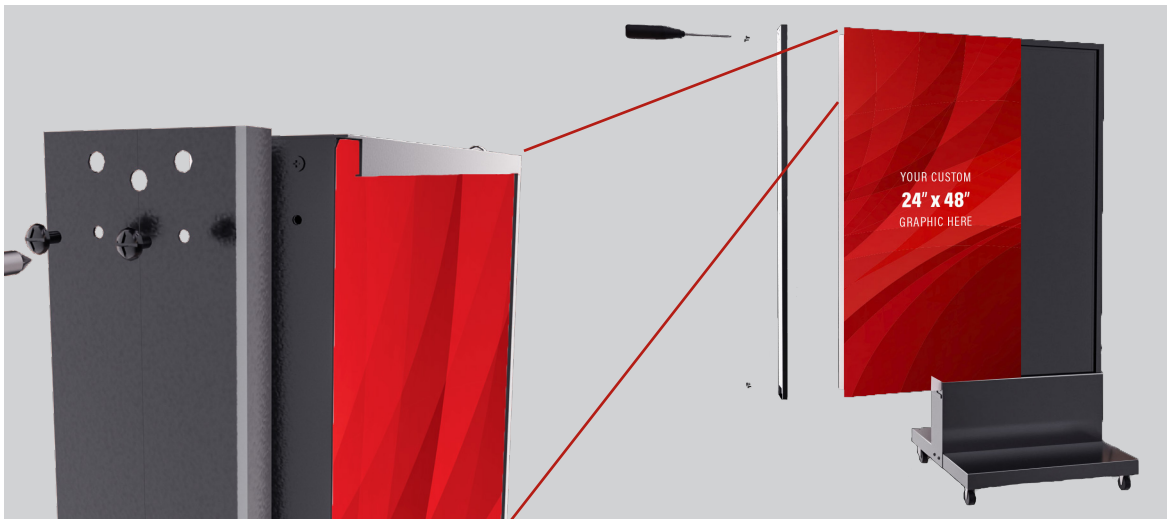
KT-SCLED100-24A-DS-865-B

PORTABLE LED SIGN CABINET

GRAPHIC INSTALLATION DETAILS

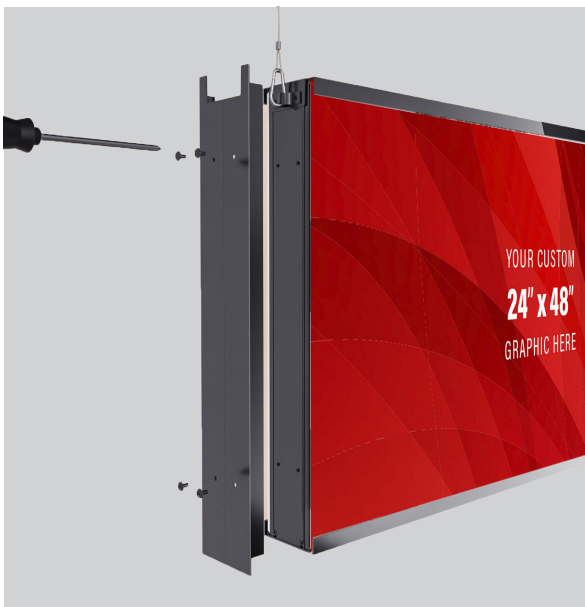
Pedestal Mount (Floor Stand)

Remove the side panel that does not contain the on/off switch and power cord via (4) phillips head screws. Slide in graphics. Re-install side panel



Vertical Mount (Ceiling Hung)

Remove either side panel via (4) phillips head screws. Slide in graphics. Re-install side panel.





KT-SCLED100-24A-DS-865-B

PORTABLE LED SIGN CABINET

ORDERING INFORMATION

ORDER CODE	PACK QTY.	EASY CODE	UPC
KT-SCLED100-24A-DS-865-B	1	TBD	TBD

CATALOG NUMBER BREAKDOWN

KT-SCLED100-24A-DS-865-B

1 2 3 4 5 6 7 8 9 10

- 1 Keystone Technologies
- 2 Sign Cabinet
- 3 LED Technology
- 4 Wattages
- 5 Nominal Size
- 6 Style Designation
- 7 Illumination Types - Double Sided
- 8 CRI
- 9 Color Temperature
- 10 Housing Color (B - Black* Consult Keystone for custom color options)